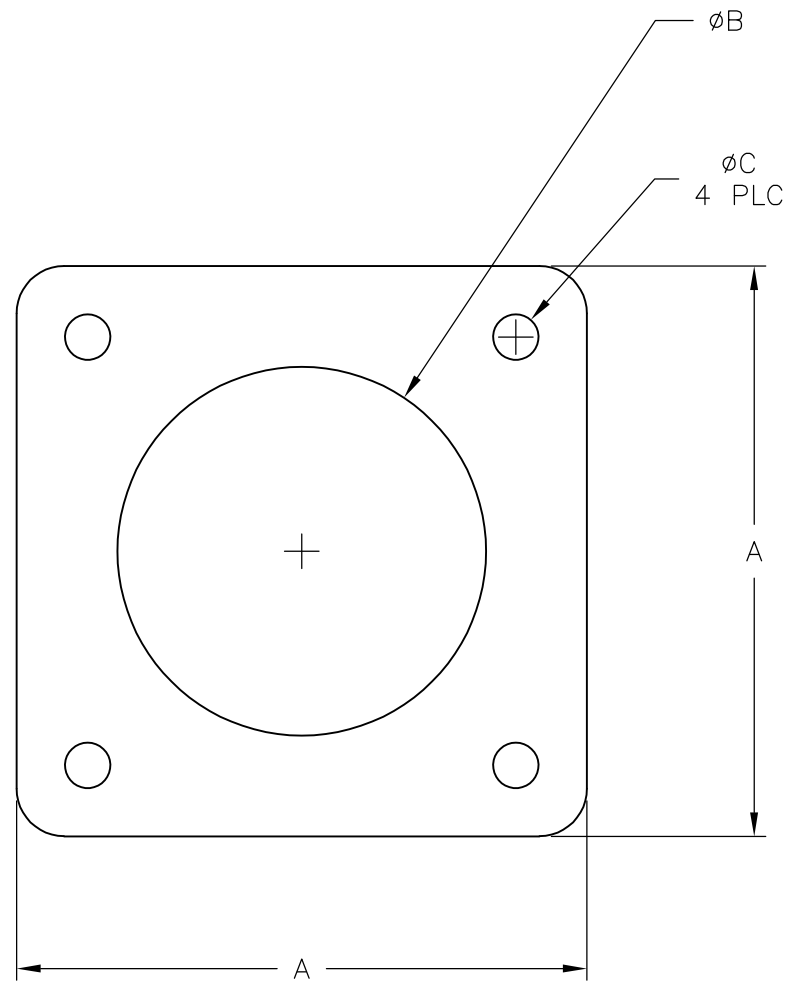


THIS DRAWING IS UNPUBLISHED. RELEASED FOR PUBLICATION
 © COPYRIGHT - By - ALL RIGHTS RESERVED.

LOC	DIST	REVISIONS			
P	LTR	DESCRIPTION	DATE	DWN	APVD
		C1	REVISED PER ECO-11-004820	11MAR11	RK HMR



NOTES:
 1 MATERIAL: NEOPRENE, BLACK.
 2 PRELIMINARY PART NUMER.

2	.125	1.030	1.185	14	81665-8
2	.120	1.110	1.530	22	81665-7
2	.142	1.492	1.950	28	81665-6
	.145	1.488	1.875	23	81665-5
	.120	.862	1.375	13	81665-4
	.120	.737	1.188	11	81665-3
	.145	1.100	1.500	17	81665-2
	.120	.970	1.500	-	81665-1
	C	B	A	CPC SHELL SIZE	PART NO.

THIS DRAWING IS A CONTROLLED DOCUMENT.		DWN S SCHLEGEL 16JUL03	TE Connectivity		
DIMENSIONS: INCHES		CHK S HEADER 7/16/03			
		APVD S HEADER 7/16/03	NAME GASKET, FLANGE, CPC		
TOLERANCES UNLESS OTHERWISE SPECIFIED: 0 PLC ± - 1 PLC ± - 2 PLC ± - 3 PLC ± .015 4 PLC ± - ANGLES ± -		PRODUCT SPEC -	RESTRICTED TO -		
MATERIAL - 1		APPLICATION SPEC -	SIZE A3	CAGE CODE 00779	DRAWING NO C-81665
FINISH -		WEIGHT -	SCALE NTS		SHEET 1 OF 1
CUSTOMER DRAWING			REV C1		